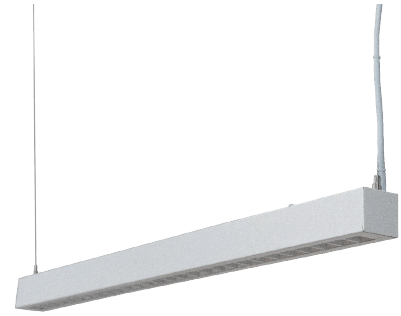


PRODUCT SPECIFICATION

ASTRID Linear Pendant Up/Down 4ft

P/N:
BLALIPU4-100-9-2765-80-2765-U-DALI-W-W-Pendant



SOLUTION DESCRIPTION

PRODUCT DESCRIPTION

The BrainLit ASTRID is a dynamic LED pendant that combines independently controlled task and general lighting. Placement and direction of emission allows for very high luminous flux (8000lm) without causing eye discomfort. At the same time it is conveniently placed in any ceiling type. By dynamically adjusting its color temperature anywhere between ice blue white (6500K) to warm white (2700K), up- and down-light independently, you can transform the ambiance of a room and promote the circadian alignment. The BrainLit ASTRID pendant embraces the black body curve with exceptional color rendering, while dimming smoothly down to 0.1%.

AREAS OF USE (examples)

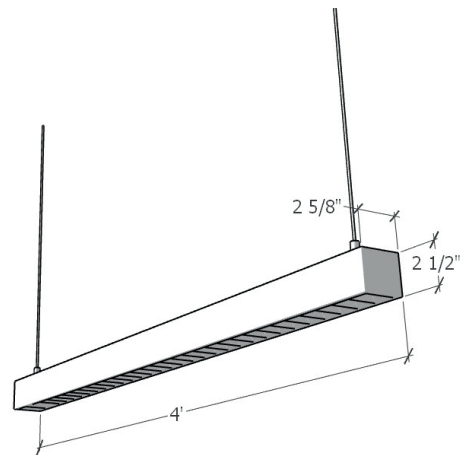
Office	High Value Offices / High Risk Offices / Meetings & Seminar Rooms
Industrial	High Value Manufacturing / High Risk Operations / Control Rooms
Education	Conference Centres / Class Rooms
Hospitality	Customer Interaction Centres / Receptions / Conference Rooms / Premium Room Settings / Terminals / Lounges
Residential	Nursing Homes / Elderly Care / Luxury Room Settings

MEASUREMENTS / PACKAGING

Weight (lbs)	9
Size LxWxH (in)	48x2-1/2x2-5/8
Box quantity	1

MARKET AVAILABILITY

AMERICAS	US, Canada
-----------------	------------



PRODUCT TECHNICAL SPECIFICATION

LIGHT PROPERTIES

Light source type	LED
LED color temperature	2700K-6500K
Color rendering	CRI/Ra >90
Lumen output up/down	Max 3,800/4,200lm
mDER range	44%-95%
Beam angle up/down	150° / 80°
Dimming range	0.1% - 100 %
Flicker handling	$P_{st}^{LM} \leq 1$, SVM ≤ 0.4 , IEEE 1789 comp.
Lifetime	0.88 (LLMF 50,000h) >100,000h (L70B50)

POWER PROPERTIES

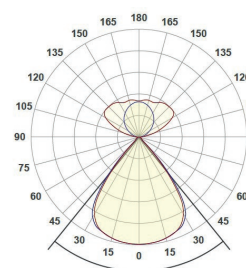
Rated input power	73W																		
Efficacy*	112 lm/W																		
Supply voltage range	120-277V																		
Supply power frequency	50/60Hz																		
Maximum circuit breaker loading (no of luminaires):	<table border="0"> <tr> <td></td> <td>10A</td> <td>15A</td> <td>20A</td> <td>25A</td> <td>30A</td> </tr> <tr> <td>@277V</td> <td>18</td> <td>28</td> <td>38</td> <td>48</td> <td>56</td> </tr> <tr> <td>@120V</td> <td>8</td> <td>12</td> <td>16</td> <td>20</td> <td>24</td> </tr> </table>		10A	15A	20A	25A	30A	@277V	18	28	38	48	56	@120V	8	12	16	20	24
	10A	15A	20A	25A	30A														
@277V	18	28	38	48	56														
@120V	8	12	16	20	24														
DALI device type	6																		
DALI-2 compliant	Yes																		
Power supply and DALI connector	10 ft cable included																		

MECHANICAL PROPERTIES

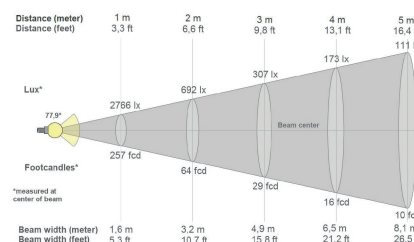
Colors	Powder coated white (RAL 9016)
Material	Aluminum + PMMA
Configuration	Pendant down + uplight
Mounting	Pendant, single or continuous run
IP rating	Damp locations
Seismic support	Seismic Brackets
Certifications	ETL, RoHS

TYPICAL CHARACTERIZATION DATA

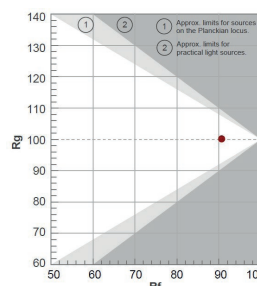
Light distribution



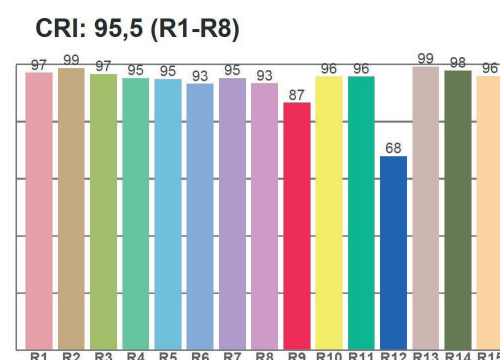
Beam description



Color rendering TM-30



Color rendering CRI, (CIE 1931)



*At maximum intensity and neutral CCT

This document contains information that is subject to change without notice. This document is solely intended for, and may only be used for, the purpose of providing luminaire products to the BrainLit BioCentric Lighting System. The performance indications for BrainLit products set forth in this document are based on, and conditioned on, the products being used solely in the BrainLit BioCentric Lighting System. However, this document shall not be deemed a product warranty, whether express or implied. The BrainLit product warranty is solely contained in the purchase agreement with each customer. This document is subject to BrainLit AB's copyright. No part of this document may be reproduced or transmitted in any form or by any means, or shared with any third party, without the prior written approval of BrainLit AB. BrainLit products may be protected by one or more patents and by copyright and design rights. "BrainLit" and "BioCentric Lighting" are registered trade marks of BrainLit AB. This document does not confer upon the recipient a license to any of BrainLit intellectual property rights.

Brainlit Product specification ASTRID Linear Pendant Up/Down 4ft 06/25/2024