



PRODUCT SPECIFICATION BALDER Pendant 90

Article no: BLT_LM-015/90-02-006/F_GG



SOLUTION DESCRIPTION

PRODUCT DESCRIPTION

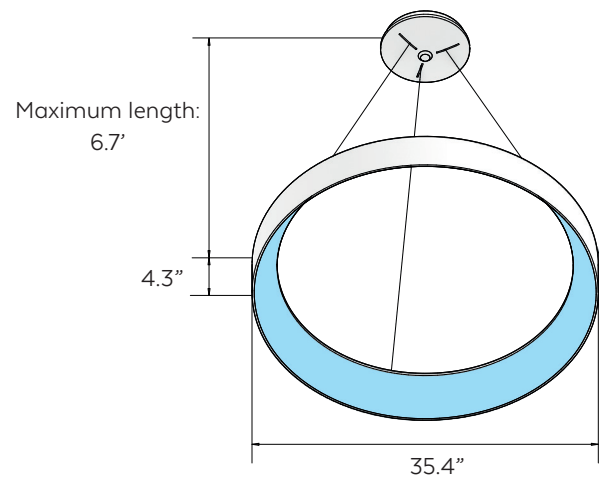
The BrainLit Balder is a pendant, dynamic LED luminaire that brings brightness and spacious atmosphere. It instantly alters the emotional experience of your environment. By dynamically adjusting its color temperature anywhere between cold white (6500K) to warm white (2700K), you can transform the ambience of a room and promote the circadian alignment. The BrainLit Balder luminaire embraces the black body curve with exceptional color rendering while dimming smoothly down to 0.1%.

AREAS OF USE (examples)

- Office** High Value Offices / High Risk Offices / Meetings & Seminar Rooms
- Education** Conference Centres / Class Rooms
- Hospitality** Customer Interaction Centres / Receptions / Terminals / Conference Centres
- Residential** Nursing Homes / Elderly Care / Luxury Room Settings

MEASUREMENTS / PACKAGING

Weight (lbs)	14
Height (in)	4.3
Diameter (in)	35.4
Box quantity	1
Boxed size LxWxH (in)	38x38x6.3
Boxed weight (lbs)	17



MARKET AVAILABILITY

AMERICAS	US, Canada
EMEA	EU



PRODUCT TECHNICAL SPECIFICATION

LIGHT PROPERTIES

Light source type	LED
LED color temperature	2700K-6500K
Color rendering	CRI/Ra >90
Lumen output	Max 7,400lm
mDER range	42% - 95%
Beam angle	183°
Dimming range	0.1% - 100%
Flicker handling	$P_{st}^{LM} \leq 1$, SVM ≤ 0.4 , IEEE 1789 comp.
Lifetime	0.87 (LLMF 50,000h) >100,000h (L70B50)

POWER PROPERTIES

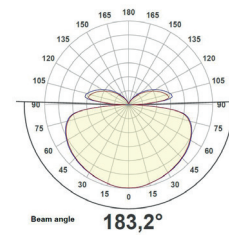
Rated input power	102W																		
Efficacy*	73 lm/W																		
Supply voltage range	120-277V																		
Supply power frequency	50/60Hz																		
Maximum circuit breaker loading (no of luminaires):	<table border="0"> <tr> <td></td> <td>10A</td> <td>15A</td> <td>20A</td> <td>25A</td> <td>30A</td> </tr> <tr> <td>@277V</td> <td>18</td> <td>28</td> <td>38</td> <td>48</td> <td>56</td> </tr> <tr> <td>@120V</td> <td>8</td> <td>12</td> <td>16</td> <td>20</td> <td>24</td> </tr> </table>		10A	15A	20A	25A	30A	@277V	18	28	38	48	56	@120V	8	12	16	20	24
	10A	15A	20A	25A	30A														
@277V	18	28	38	48	56														
@120V	8	12	16	20	24														
DALI device type	8																		
DALI-2 compliant	Yes																		
Power, DALI connection	Push-in terminal																		

MECHANICAL PROPERTIES

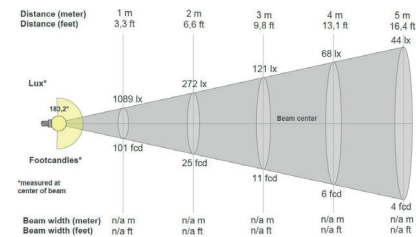
Colors	White matte (RAL 9003)
Material	Aluminum + PS
Configuration	Backlit
Mounting	Pendant
IP rating	IP20, dry locations
Operating temperature	-4 °F to 122 °F
Certifications	CE, UL, cUL, RoHS
Warranty	5 years

TYPICAL CHARACTERIZATION DATA

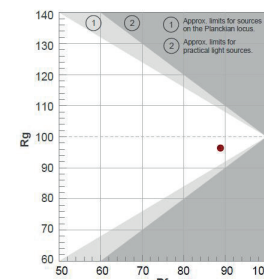
Light distribution



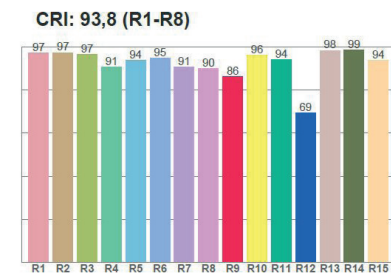
Beam description



Color rendering TM-30



Color rendering CRI, (CIE 1931)



*At maximum intensity and CCT

This document contains information that is subject to change without notice. This document is solely intended for, and may only be used for, the purpose of providing luminaire products to the BrainLit BioCentric Lighting System. The performance indications for BrainLit products set forth in this document are based on, and conditioned on, the products being used solely in the BrainLit BioCentric Lighting System. However, this document shall not be deemed a product warranty, whether express or implied. The BrainLit product warranty is solely contained in the purchase agreement with each customer. This document is subject to BrainLit AB's copyright. No part of this document may be reproduced or transmitted in any form or by any means, or shared with any third party, without the prior written approval of BrainLit AB. BrainLit products may be protected by one or more patents and by copyright and design rights. "BrainLit" and "BioCentric Lighting" are registered trade marks of BrainLit AB. This document does not confer upon the recipient a license to any of BrainLit intellectual property rights.